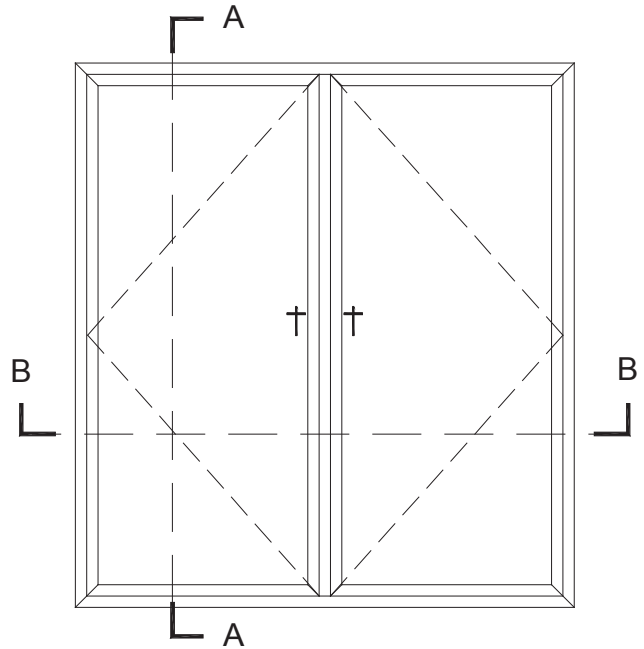
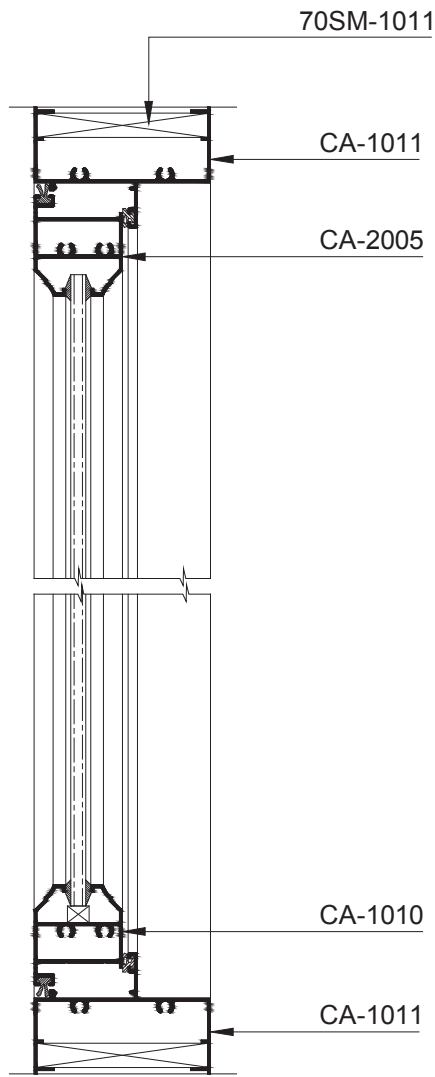
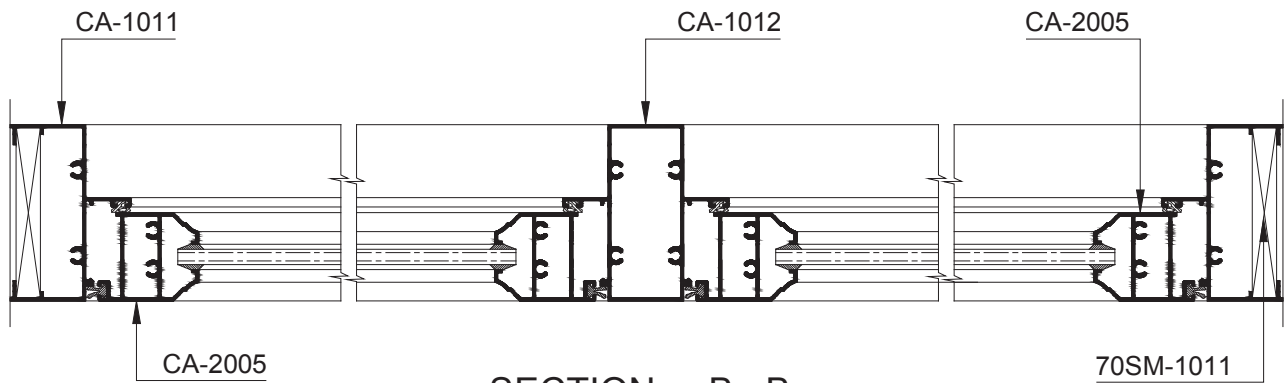


70mm Casement (1.2mm Thk)



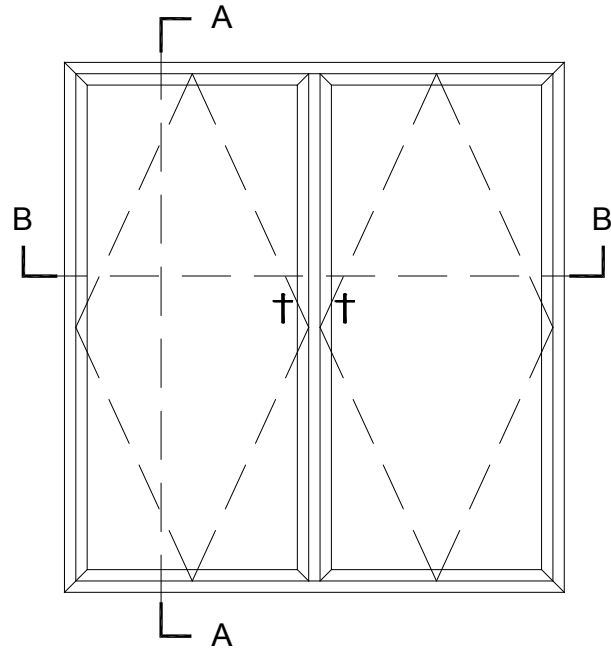
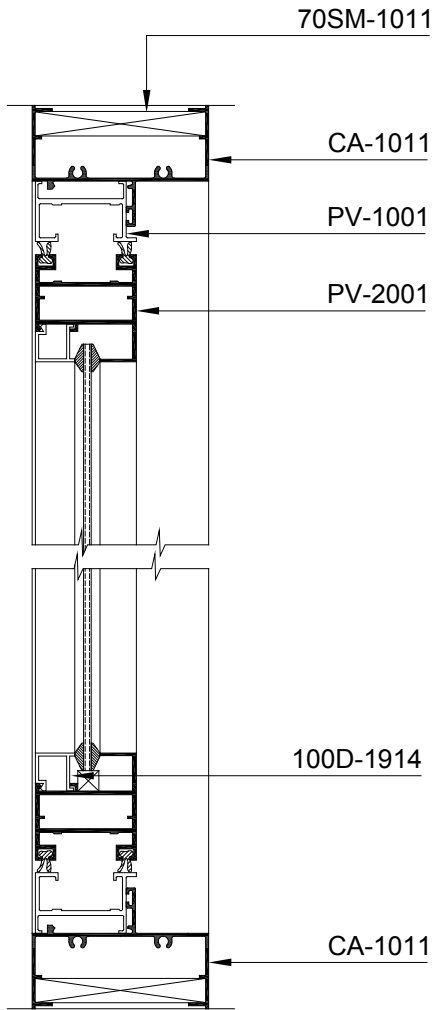
ELEVATION

SECTION :- A - A



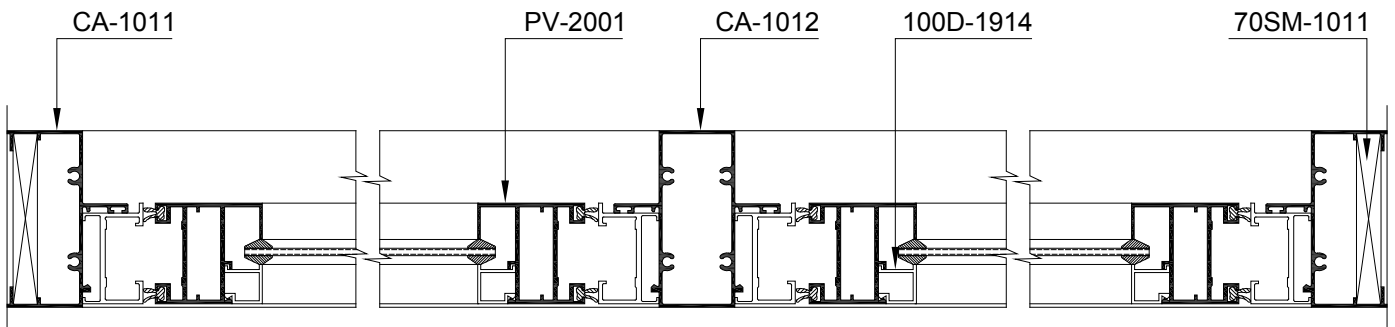
SECTION :- B - B

70mm Casement & Pivot



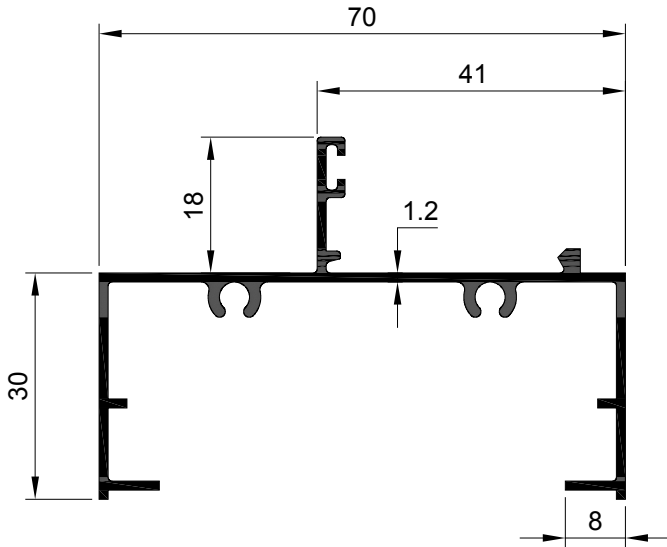
ELEVATION

SECTION :- A - A

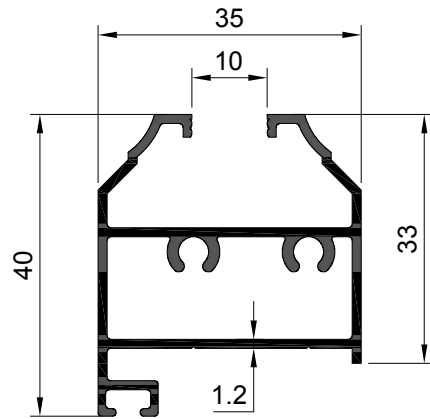


SECTION :- B - B

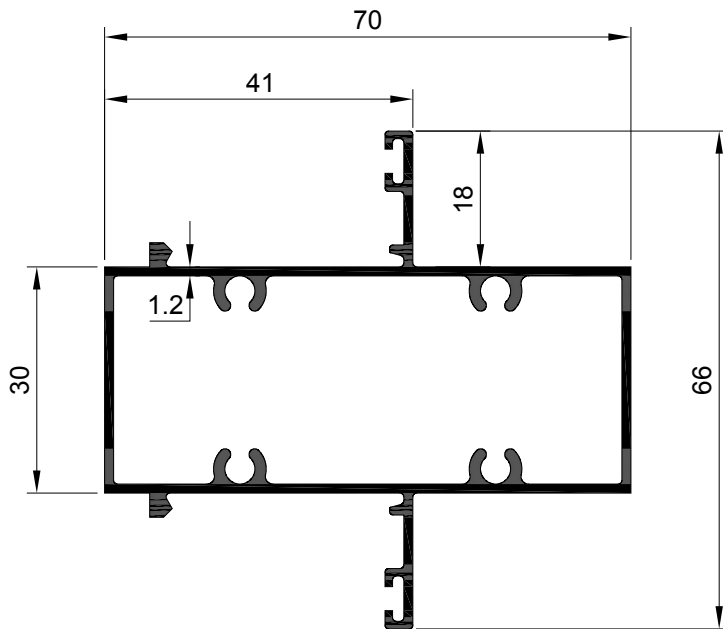
70mm Casement & Pivot



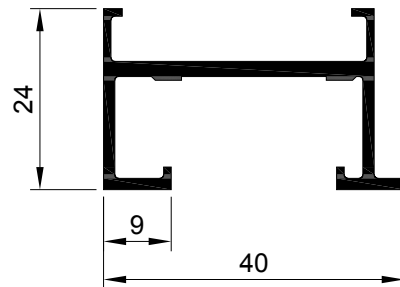
SECTION NO. - CA-1011
EST. WEIGHT - 0.668 KG./M.



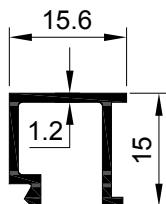
SECTION NO. - CA-2005
EST. WEIGHT - 0.622 KG./M.



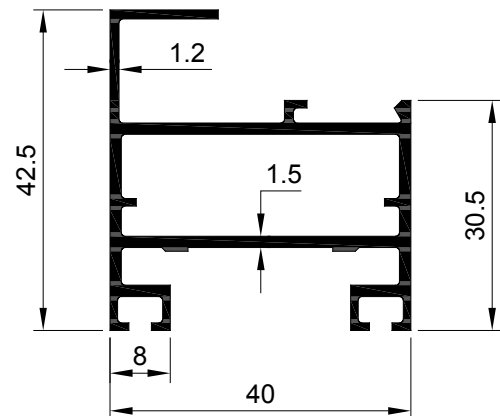
SECTION NO. - CA-1012
EST. WEIGHT - 1.021 KG./M.



SECTION NO. - PV - 1001
EST. WEIGHT - 0.444 KG./M.

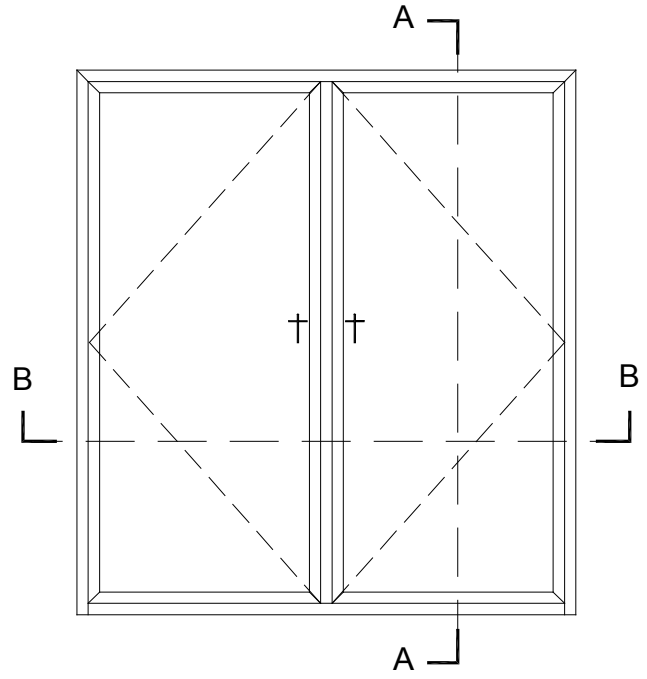
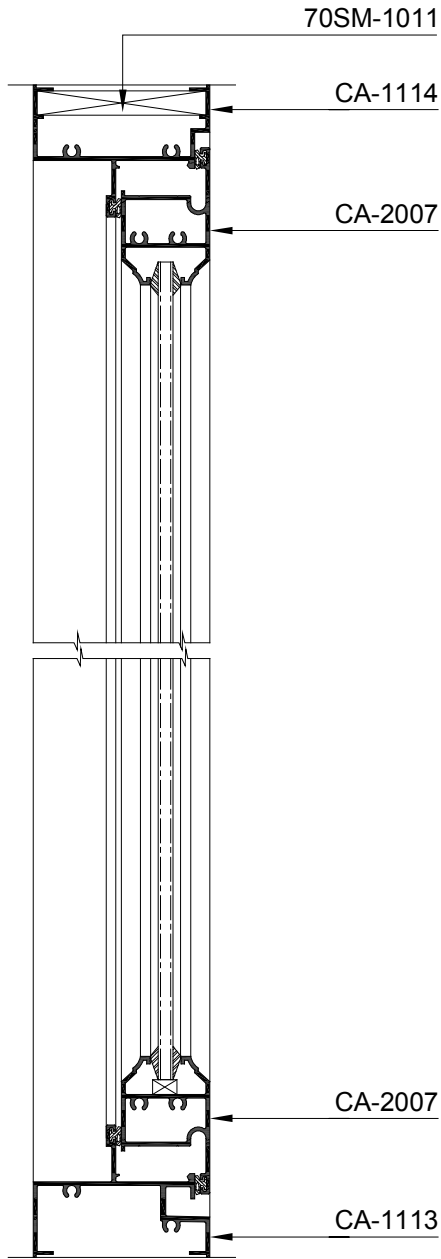


SECTION NO. - 100D - 1914
EST. WEIGHT - 0.159 KG./M.



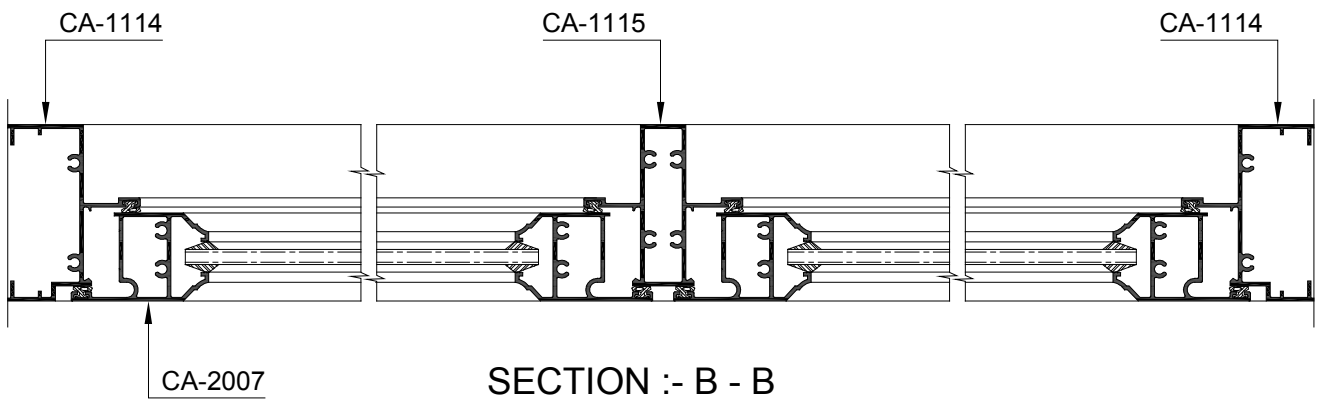
SECTION NO. - PV - 2001
EST. WEIGHT - 0.746 KG./M.

70mm Casement (1.5mm Thk)



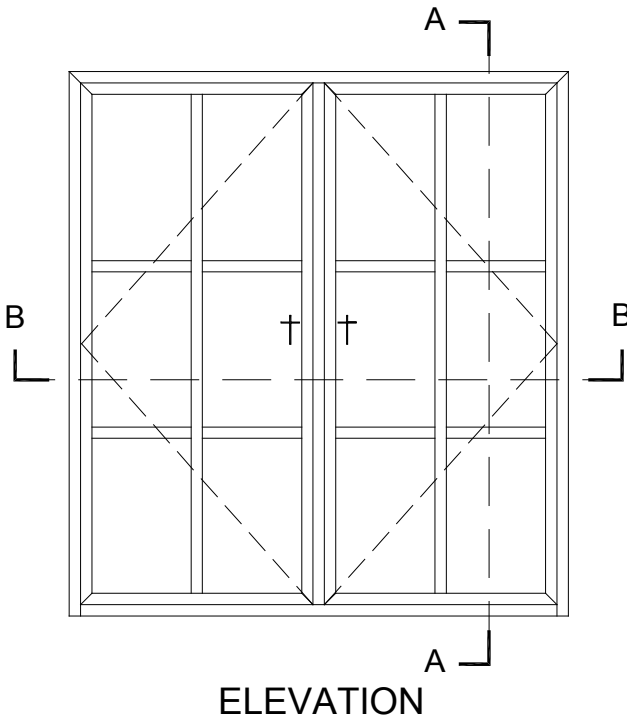
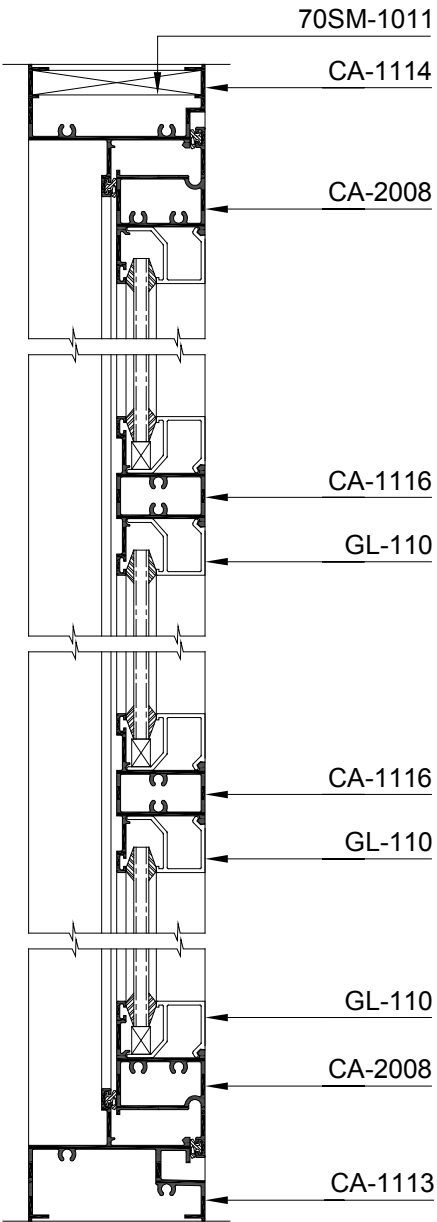
ELEVATION

SECTION :- A - A

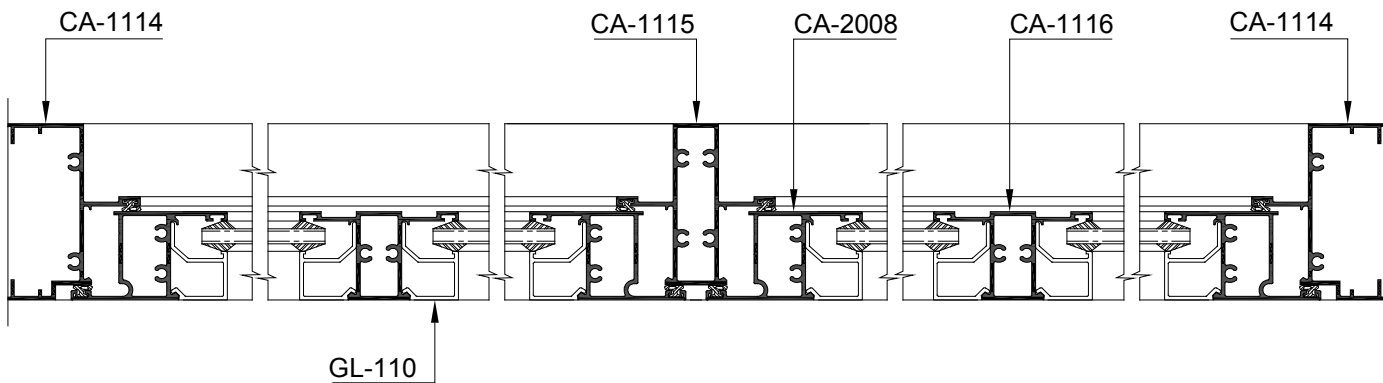


SECTION :- B - B

70mm Casement (1.5mm Thk)

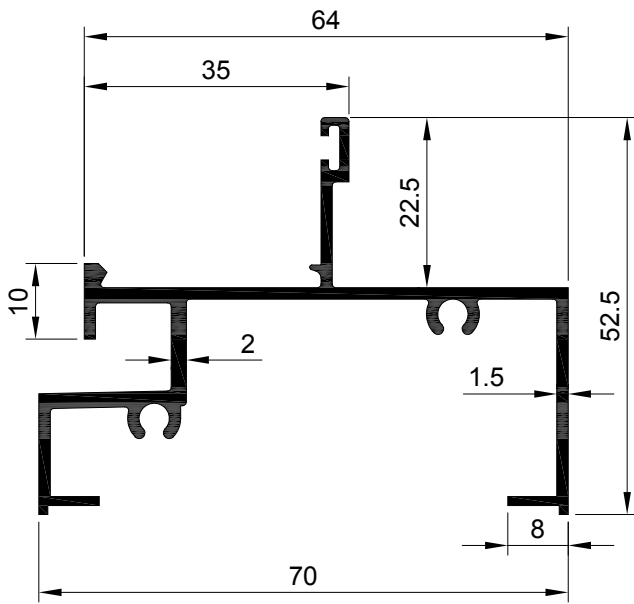


SECTION :- A - A

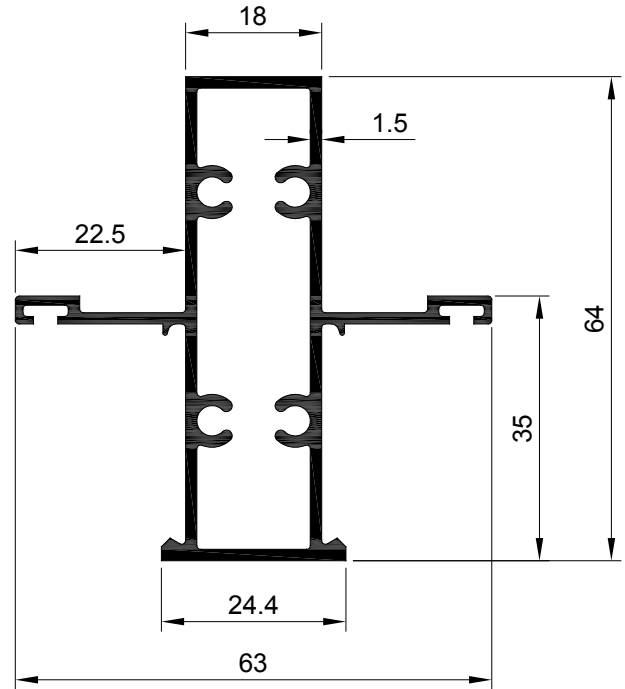


SECTION :- B - B

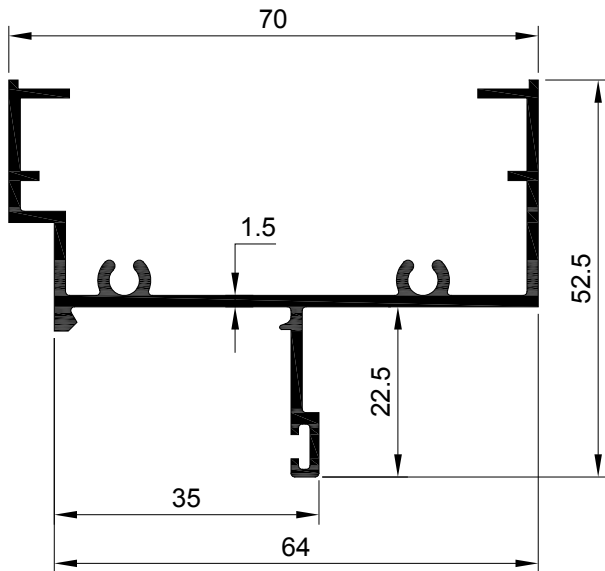
70mm Casement (1.5mm Thk)



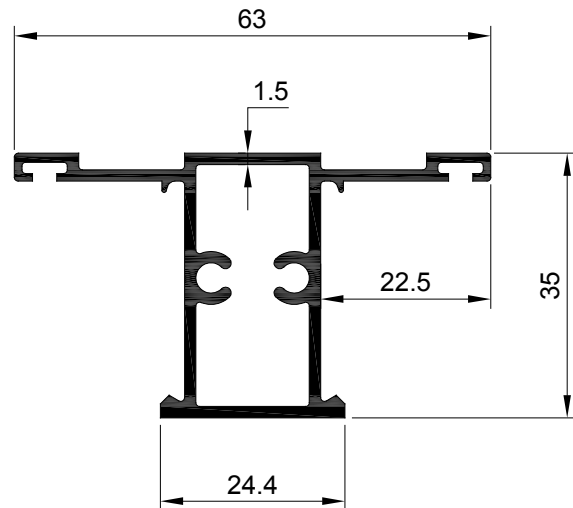
SECTION NO. - CA-1113
EST. WEIGHT - 0.888 KG./M.



SECTION NO. - CA-1115
EST. WEIGHT - 1.074 KG./M.

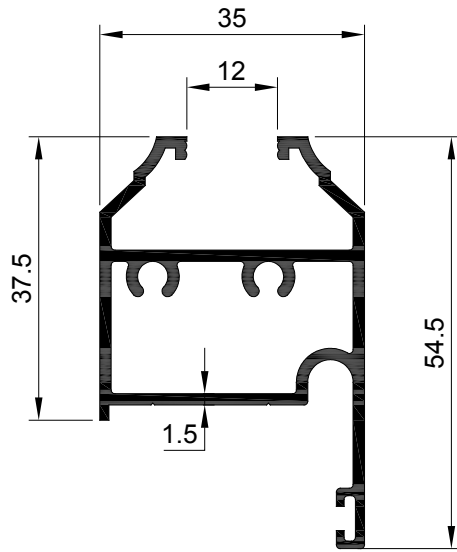


SECTION NO. - CA-1114
EST. WEIGHT - 0.788 KG./M.

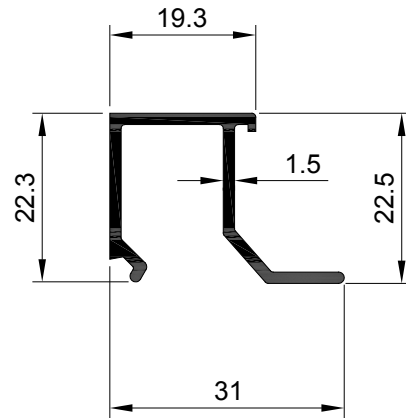


SECTION NO. - CA-1116
EST. WEIGHT - 0.756 KG./M.

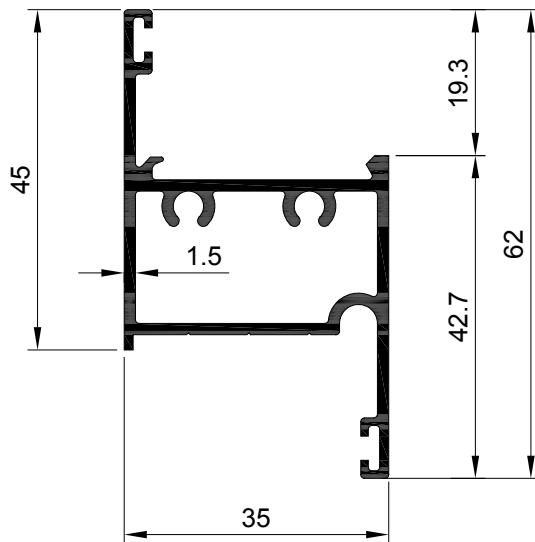
70mm Casement (1.5mm Thk)



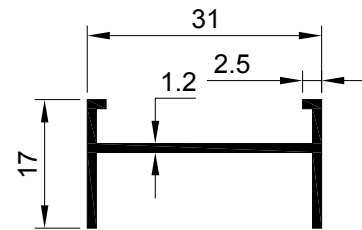
SECTION NO. - CA-2007
EST. WEIGHT - 0.805 KG./M.



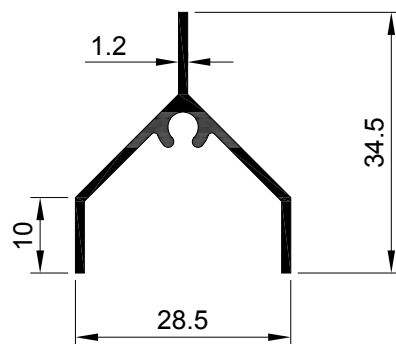
SECTION NO. - GL-110
EST. WEIGHT - 0.305 KG./M.



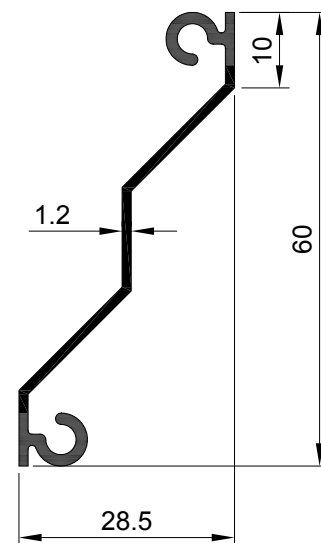
SECTION NO. - CA-2008
EST. WEIGHT - 0.766 KG./M.



SECTION NO. - DG-103
EST. WEIGHT - 0.211 KG./M.



SECTION NO. - DG-04
EST. WEIGHT - 0.257 KG./M.



SECTION NO. - DG-03
EST. WEIGHT - 0.353 KG./M.

3D Assembly Detail Of 70mm Casement

